

FEATURES

- Stacked, unencapsulated, metallized polyester, polyethylene naphthalate (PEN) film construction, non-inductive.
- Small sizes: 1913, 2416, 2820, 2825, 3022, 3925, 3931, 6032, & 6039.
- Excellent moisture resistance.
- Reflow soldering only.
- Tape/reel package.

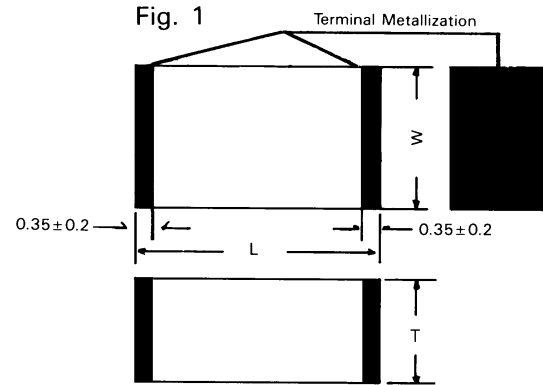
PART NUMBERING

Part Number Example: 932-050/224JTR2416F								
932	-	050	/	224	J	TR	2416	F
Type		Rated DC Voltage		Capacitance Code (pF)*	Tolerance Code	Package Code**	Reel Size	RoHs Compliant
* Capacitance Code: First two digits represent significant figures, third digit represents multiplier (number of zeros).								
** Package Code: TR = Tape & Reel.								

SPECIFICATIONS

Performance Characteristics	
Operating Temperature Range	-55°C ~ +105°C @ 16VDC & 50VDC. -40°C ~ +85°C @ 100VDC & 250VDC.
Temperature Characteristics (20°C)	Within ±3% of initial value @ Δ C/C (-55°C). Within ±4% of initial value @ Δ C/C (+105°C).
Voltage Range	16, 50, 100, & 250VDC.
Withstanding Voltage (between leads)	1.75 times rated voltage for 60 seconds applied through minimum 2KΩ resistor or 1.75 times for 1 ~ 5 seconds @ 16 & 50VDC. 1.5 times rated voltage for 60 seconds applied through minimum 2KΩ resistor or 1.75 times for 60 seconds @ 100 & 250VDC.
Capacitance Range (20°C, 1KHz)	0.001μF ~ 1.0μF.
Capacitance Tolerance	±5% @ 16 & 50VDC. ±5% (C ≤ 0.15μF); ±10% (C > 0.15μF) @ 100VDC. ±10% @ 250VDC.
Maximum Dissipation Factor % (20°C, 1KHz)	1.0.
Minimum Insulation Resistance (20°C) (after 1 minute minimum)	3000MΩ measured @ rated voltage except 16VDC (C ≤ 0.33μF). 16VDC rating measured @ 10VDC (C ≥ 0.33μF, 1000MΩ min.).

DIMENSIONS IN mm:



DIMENSIONS

EIA Size	Dimensions (mm)			Qty/Reel
	T	L ± 0.2	W ± 0.3	
1913	1.4	4.8	3.3	3000
	2.0			
	2.4			2000
	2.8			
2416	1.8	6	4.1	3000
	2.0			
	2.4			2000
	2.8			
	3.2			
2420	3.2	7.1	5	1500
	3.8			
2820	2.0	7.1	6.3	1000
	2.4			
	2.9			
	3.5			
2825	2.8	9.8	8	750
	3.5			
	4.1			
3022	5.1	15.2	10	750
	3.4			
	4.0			
3925	3.0	9.8	6.3	1000
	3.6			
	3.9			
	4.3			
	4.8			
	5.1			
3931	4.4	15.2	8	750
	5.3			
6032	3.7	15.2	10	750
	4.4			
6039	4.2	15.2	10	750
	5.1			

STANDARD PRODUCTS TABLE OF T DIMENSION

Size (µF)	WVDC																
	16		50		100				250								
	1913	2416	1913	2416	1913	2416	2820	3022	3925	1913	2416	2420	2825	3925	3931	6032	6039
0.0010										1.4							
0.0012										1.4							
0.0015										1.4							
0.0018										1.4							
0.0022										1.4							
0.0027										1.4							
0.0033										1.4							
0.0039										1.4							
0.0047										1.4							
0.0056										1.4							
0.0068										1.4							
0.0082										1.4							
0.010										1.4							
0.012					1.4					1.4							
0.015					1.4					1.4							
0.018					1.4					2.0							
0.022					1.4					2.0							
0.027					1.4					2.4							
0.033					1.4					2.8							
0.039					1.4						2.0						
0.047					2.0						2.4						
0.056			2.0		2.0						2.8						
0.068			2.0		2.4						3.2						
0.082			2.4		2.8							3.2					
0.10			2.8			1.8						3.8					
0.12	1.4			1.8		2.4							2.8				
0.15	2.0			2.0		2.8							3.5				
0.18	2.0			2.4			2.0						4.1				
0.22	2.4			2.8			2.4						5.1				
0.27		1.8					2.9							3.9			
0.33		2.0					3.5							4.8			
0.39		2.4						3.4							4.4		
0.47		2.8						4.0							5.3		
0.56									3.0							3.7	
0.68									3.6							4.4	
0.82									4.3								4.2
1.0									5.1								5.1

RECOMMENDED LAND PATTERN DIMENSIONS (mm)

Size	A	B	C
1913	2.6	6.6	3.0
2416	3.8	7.8	3.8
2420			4.6
2820	4.5	9.0	5.0
2825	5.1	9.7	
3022	4.5	9.0	5.7
3925	7.2	11.9	
3931			
6032	12.6	17.3	7.2
6039			9.0

